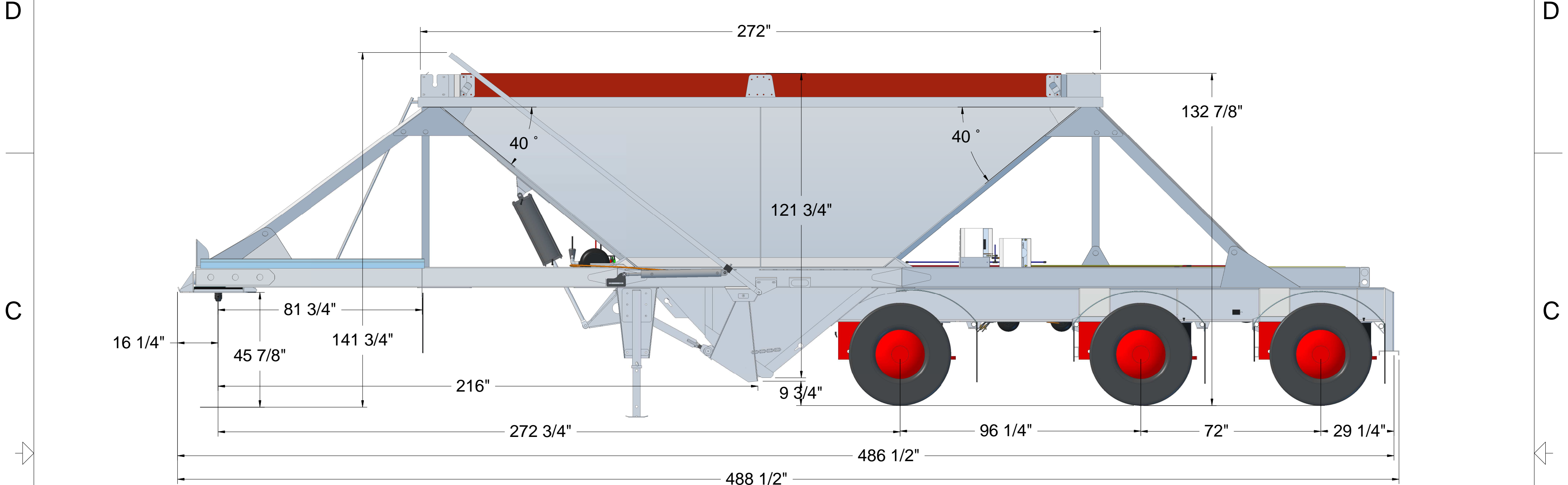




REVISIONS				
ZONE	REV	DESCRIPTION	DATE	APPROVED



Hopper Construction:

- Slope: 10 Ga. Steel floor at 40 degree slant, lined with 1/2" UHMW
- Sides: 10 Ga. Steel sides, curved for better gravel flow
- Top Rail: 4x4 x.188 square tubing, topped with 2x10 painted wood planks
- Supports: Ribbed floor supports and 3x5 x.188 tubing supports
- Ladder: Front ladder with non-slip grip tread
- Tarp: Air operated swing-over mesh tarp
- Gate: 20" x 96" gravel opening, operated by 8" air cylinder
- 10 Ga. Reinforced gate plating
- Over center safety lock, plus safety / spreader chains

Axle Frame:

- Frame: 14" I-beam
- Axles: 22,500 lb Evely axle with all Evely suspension components
- ABS: 2S/1M Haldex ABS system
- Lift: SPIF #2 compliant with automatic lift steering axle
- Tires: 11R 22.5-H tires on 10 bolt 22.5 x 8.25 aluminum rims

Miscellaneous:

- 5th wheel: 3/8" steel plate at 45" height, oscillating with rubber suspension
- Landing: Drop leg landing gear
- Air Ride: Evely air ride
- Flaps: Weberlane 3/8" mudflaps front and back of each wheel
- Fenders: 3/16" aluminum fenders over trailer wheels and truck wheels
- Paint: Phosphate washed and primed & painted with 2K Urethane paint

Weberlane Aggre-Hauler #Hopper35
Capacity: 35 cubic yards
Length: 40'
Width: 102"
Height: 134"
Weight: 17,028 lbs
GVWR: 99,000 lbs

DRAWN Darren	DATE				
	CHECKED				
	QA				
MFG		SIZE C	FSCM NO.	DWG NO.	REV
APPROVED		SCALE		SHEET	